



COFFEE
FUTURE
REMADE



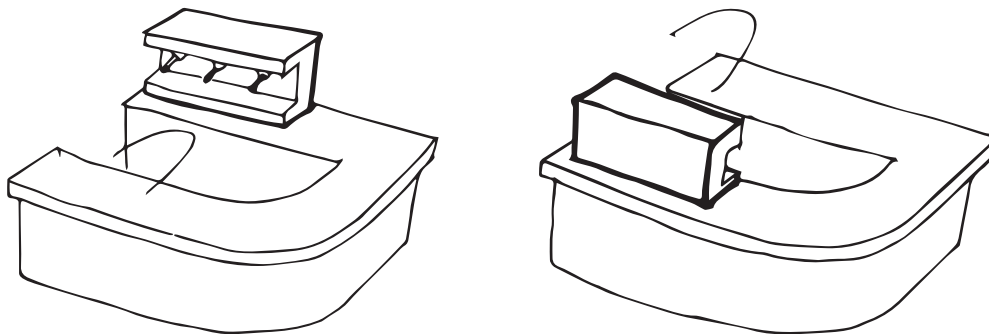


THE CHALLENGE

A WALL OF STEEL

The AREMDE partners came together: a designer, an engineer, an entrepreneur and a marketer. From different continents, from different cultures, but with one common goal: the future of professional coffee remade.

Simply, because they disliked what they saw in almost every coffee bar around the world. A wall of steel, also known as the traditional bulky espresso machine. Put in front, it separates the baristas from their customers; placed against the back, it forces the baristas to turn their back on people. Where others accepted this as a given, we saw an opportunity.



[AREMDE]

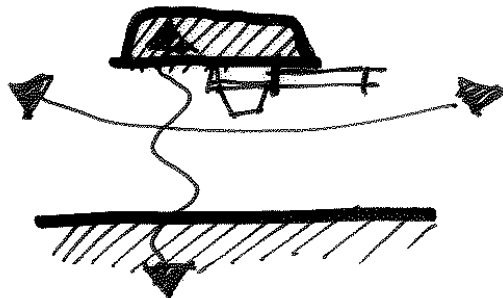


THE THINKING

OPEN THE WINDOW

Every problem is also a window of opportunity. You just have to open it up. And that's what we did. We literally designed a hole in the wall. Created less machine and more experience. So the connection and interaction between the customer and the coffee master – as we like to call a true barista – is optimized to the max.

If the love for quality coffee can be one of the reasons to bring people together, we want to contribute to that. Because we at AREMDE believe in the mix of talent, age, gender and colour. Have a look at each other through our NEXUS ONE and smile!

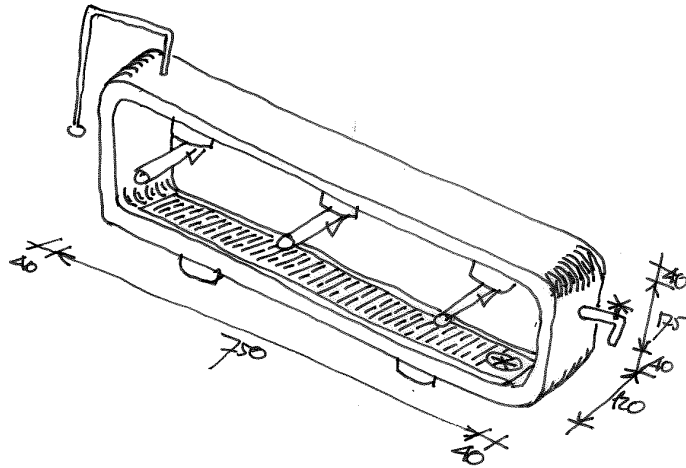




THE BREAKTHROUGH TECH MADE EASY

Real magic happens when you are able to translate state of the art technology into ease of use. To let all engineering possibilities available work together in order to produce a quality product like no other. We think we did with our NEXUS ONE.

For instance: it integrates weight-based extraction to ensure the perfect brew ratio is achieved every time. One digital display presents all essential parameters. And buttons are developed to be simple and smart in order to guarantee the most ergonomic flow possible. We love it when tech and design come together. Don't you?



[NEXUS ONE]

Visit our website to learn more about every feature.

SMART HOT

The desired hot water temp is achieved using a cold water tempering valve after the boiler to get the temperature desired fast while maintaining boiler efficiency.

EASY TOUCH

The buttons are designed to be simple and smart: short touch purges, longer touch latches until pressed again freeing the Coffee Master's hand to perform.

SAFE STEAM

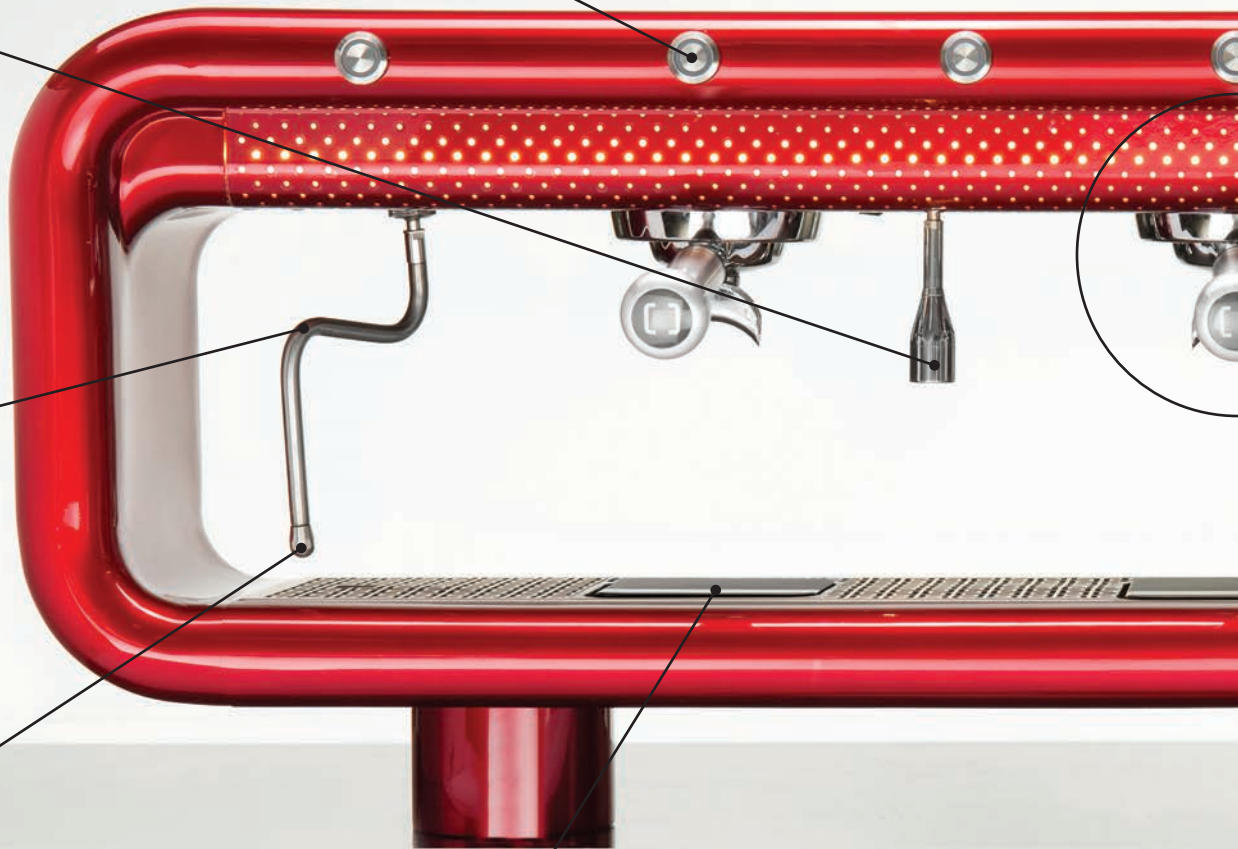
The steam arm is thermally insulated to be safe for the Coffee Master to operate and easy to clean.

STEAM CONTROL

Thanks to the Steam Control System: Hot steam preserves while cooler steam is circulated back to boiler.

WEXUS

As an optional feature, Nexus integrates weight based extraction to ensure the perfect brew ratio is achieved every time.



LESS IS MORE

Minimalism is not a style, it's away of life. For us, it's more experience with less machine. Hence, less "controls" and more space and engagement.

PERFECT CONSISTENCY

The technology-design integrated to the group head ensures the fluctuation in temperature is less than 0.2C. Thus, the exact perfect coffee extraction every time.

DISPLAY

The display presents the essential parameters when needed (shot timer, group and steam temp etc.) everything else is managed by the software in the background.

USER CENTERED

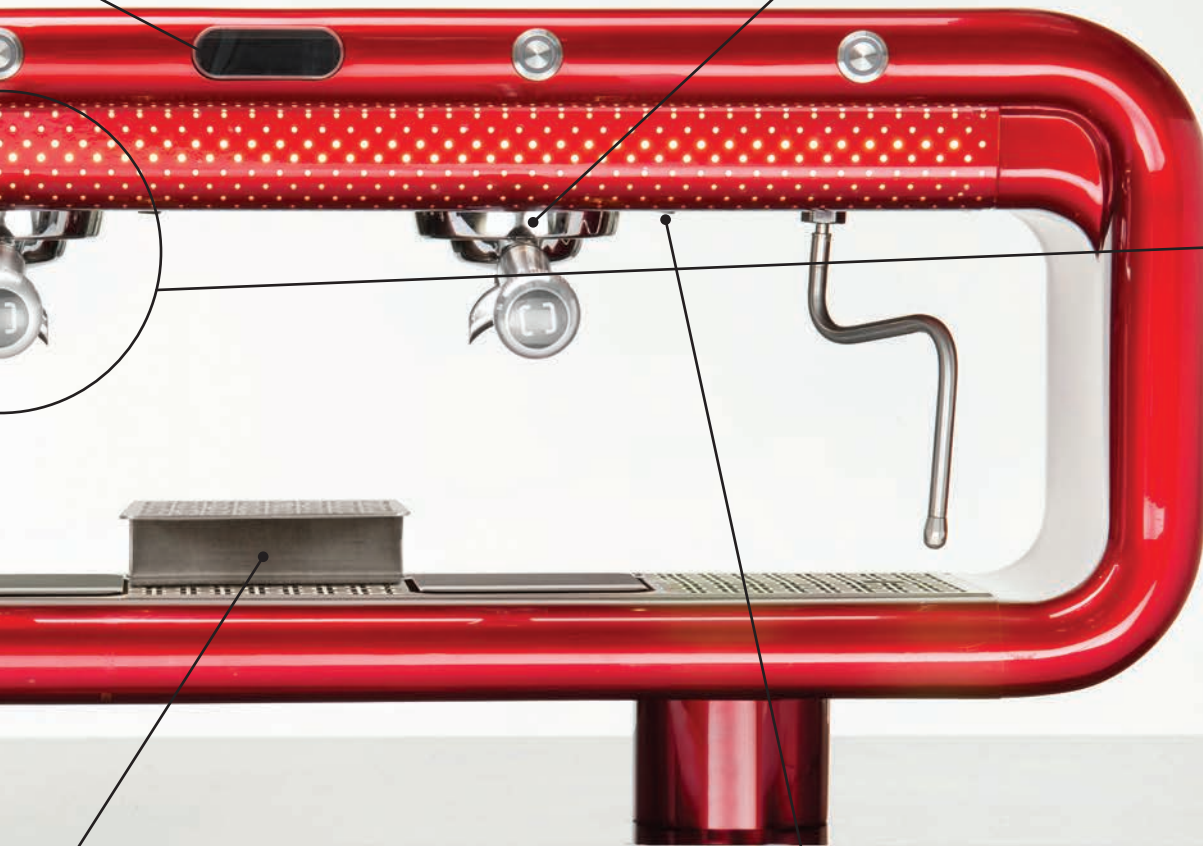
Everything is designed with both barista and customer in mind: The handle (portafilter) is ergonomically located for barista ease of use. The curvature of the chassis allows group head to be in barista line of vision. The Nexus One's low profile allows social interaction between barista and customer.

SPOT LIGHT

And since everything is about what is going to be in the cup, we ensured it stands out more than anything using LED spot light to complement the experience.

GLIDER TRAY

There when needed for a shot, and can simply be pushed to the side when not required. It simply works.



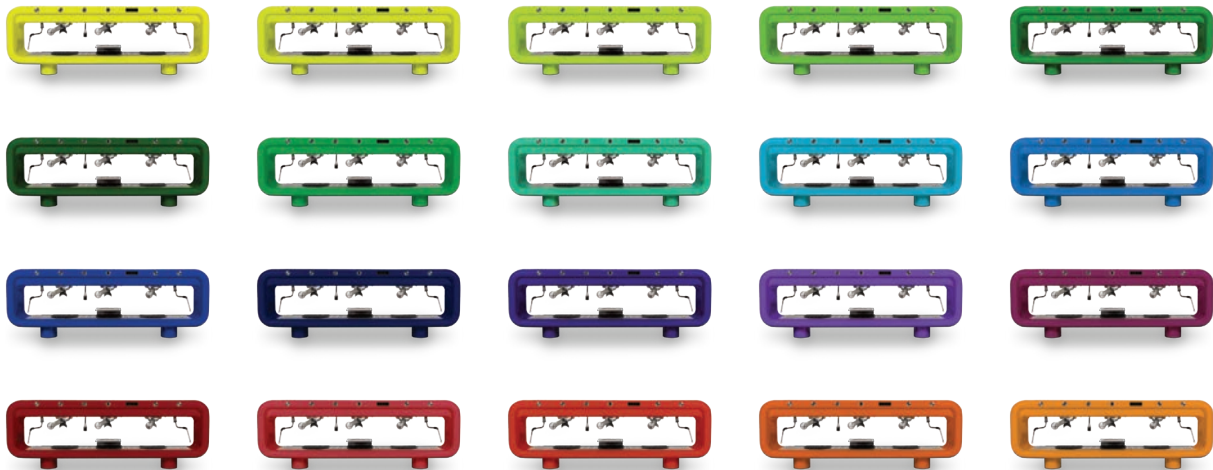


THE LOOK

PICK ANY COLOUR

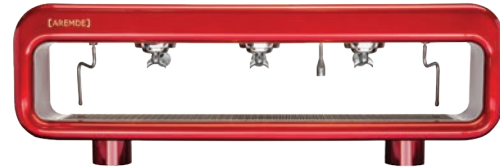
As it will be the centrepiece of any coffee business, we made the NEXUS ONE also amazing to look at. By detailed design and five carefully selected colours: Ruby Red, Pine Green, Ash Taupe, Pecan Brown and Ivory Cream.

However, you can of course order any colour from the rainbow you like.





THE SPECS: DETAILS MATTER



UNITS / VERSIONS	2 Group - 2 Steam - 1 Hot Water	3 Group - 2 Steam - 1 Hot Water
BODY	Stainless Steel - 304/316 - Coated	
BOILER	14 Litre Steam - 1 Litre Coffee (per group)	17 Litre Steam - 1 Litre Coffee (per group)
HYDRAULICS	Digital - adjustable steam and coffee temperatures made with Copper, Brass and Stainless.	
GROUP	2 x Brass/Stainless - Composite	3 x Brass/Stainless - Composite
STEAM	Dedicated Boiler Copper - Stainless Steel - 1.2 or 1.5mm supplied	
HOT WATER	Built in Economiser Electronic Dosage	
CUP WARMER	Optional Accessory - stand alone	
ELECTRONICS	PID controlled heating, Micro-computer PCB (programmable)	
DOSSAGE SYSTEM	Volmetric or Extraction Weight Based (Wexus)	
POWER	7300w (Steam 4500w Coffee 1300w per group, Pump 180w)	9500w (Steam 5200w Coffee 1300w per group, Pump 180w)
VOLTAGE	220-240VAC 50/60Hz - (240VAC - 32AMP)	220-240VAC 50/60Hz - (240VAC - 40AMP)
DIMENSIONS	CTU* L: 925 (36 7/16"), D: 230 (9"), H: 405 (15 15/16") UCU** A-Hydra L: 710 (27 15/16"), D: 346 (16 9/16"), H: 512 (20 3/16") UCU-B-Elec L: 604 (23 14/16"), D: 346 (16 9/16"), H: 142 (5 9/16")	
WEIGHT	95kg (CTU 40kg, UCU Electrical 15kg, UCU 40kg)	110kg (CTU 50kg, UCU Electrical 15kg, UCU 45kg)

*CTU - Counter Top Unit **UCU - Under Counter Unit



THE JOURNEY ONLY JUST STARTED

In developing NEXUS ONE, we discovered many other possibilities to improve the place and process of the whole professional coffee experience. Above and under the counter. Many concern tech and style issues, but even more are related to – what we call – modular system logistics.

For us, NEXUS ONE is just the first milestone on an exciting global journey. Starting out from Brisbane, Australia – home to the AREMDE company – we are coming to every major city in Europe, North and South America, Africa and Asia. A journey that will bring us new challenges and innovative solutions. We hope that you will follow us closely and provide us with your insights and ideas as we have only one mission: your coffee business remade.

Stay Connected!
www.aremde.com.au



00